



Instruction Manual
Bedienungsanleitung
Instrukcja obsługi

Lavender AiRing

BL08W



Enjoy it.

BAP-HA-P0809-N29W

CONTENTS

IMPORTANT SAFEGUARDS.....	5
PRODUCT OVERVIEW	6
SPECIFICATIONS	8
FILTER INSTALLATION.....	8
FUNCTIONS.....	10
SMART OPERATION.....	12
MAINTENANCE.....	18
TROUBLESHOOTING.....	19
MODEL CODE BREAKDOWN:.....	20

INHALT

WICHTIGE SICHERHEITSVORKEHRUNGEN	22
GERÄTEÜBERSICHT	23
TECHNISCHE EIGENSCHAFTEN	25
INSTALLATION DES FILTERS	25
FUNKTIONEN	27
SMART-BETRIEB.....	29
WARTUNG.....	36
FEHLERBEHEBUNG.....	37
MODEL NUMMER AUFSCHÜSSELUNG:.....	38

SPIS TREŚCI

BEZPIECZEŃSTWO.....	40
OPIS URZĄDZENIA.....	41
SPECYFIKACJA.....	43
INSTALACJA FILTRA.....	43
FUNKCJE	45
INTELIĞENTNA OBSŁUGA	47
KONSERWACJA	54
ROZWIĄZYWANIE PROBLEMÓW	55
ZNACZENIE KODU MODELU:	56

Air purifier

Lavender AiRing

BL08W

BAP-HA-P0809-N29W

User Manual



Blaupunkt Competence Center Aircons
Mateko Sp. z o.o.

ul. Przyleśna 17A

05-126 **Michałów**-Grabina

e-mail: service@mateko.pl

www.blaupunkt.com

IMPORTANT SAFEGUARDS

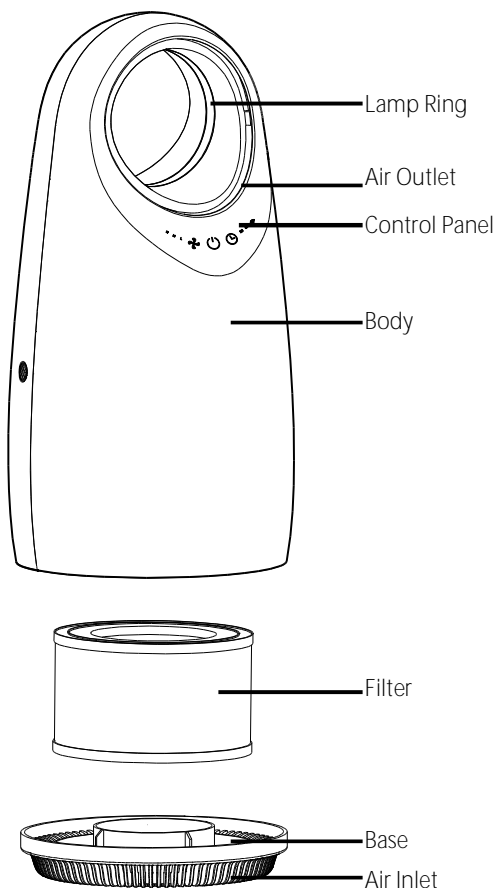
Please read this user manual carefully before using the product and keep it for future reference.

Warning

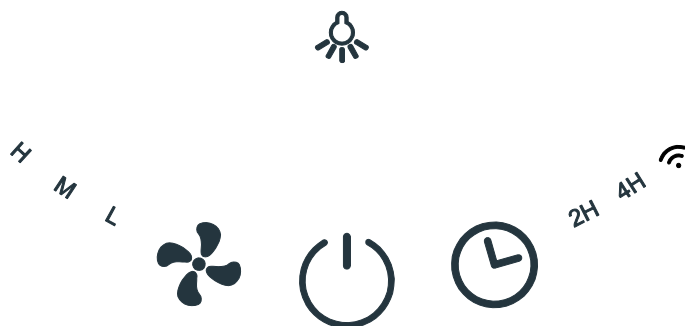
1. To avoid electric shock and fire, do not allow any water, liquid or any flammable agents to get into the product or use them to clean the product.
2. Do not spray insecticide, perfume or other flammable substances around the product.
3. Please check whether the local power supply voltage is consistent with voltage of the product before connecting the power supply.
4. This product can not be used to replace normal ventilation, for daily dust collection or as kitchen ventilation when cooking.
5. Ensure the product is used on a stable and horizontal surface.
6. Leave at least 30cm of space behind and on the sides the product, and at least 50cm of space above the product when using.
7. Ensure both the filter and the cover are properly installed before using.
8. Do not insert finger or other things into the air outlet/inlet to prevent physical damage or harm.

PRODUCT OVERVIEW

Components



Control Panel



Power Button



Timer Button



Wind Speed Button



Light Control Button

2H-4H

Timing Indicator Light

H-M-L

Wind Speed Indicator Light



Wi-Fi Indicator Light

SPECIFICATIONS

Model No.	BAP-HA-P0809-N29W
Size	213*213*432mm
Net Weight	2.4kg
Input	220-240V 50Hz/60Hz
Power	35W
CADR	80m ³ /h
Coverage Area	≤10m ²

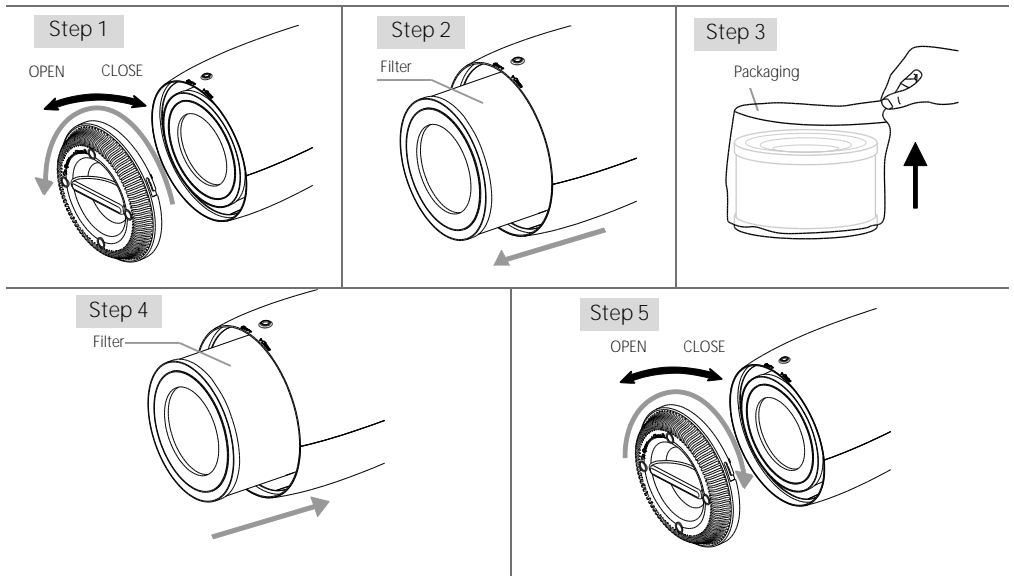
FILTER INSTALLATION

Note

- Please remove the filter packaging before using for the first time.
- Ensure the machine is unplugged before removing or installing the filter.

Filter Installation Steps

Unplug the machine from the power source before replacing or installing the filter.



1. Invert the machine and rotate the base along the direction marked "OPEN"
2. Take the filter out from the machine.
3. Remove the packaging of the filter.
4. Install the filter into the machine.
5. Install the base, then rotate and tighten the base along the direction marked "CLOSE".

Note: The device needs a filter replacement when the lamp ring flashes red. Please refer to the steps above to install a new filter, then press the power button for about 7 seconds to reset the filter replacement indicator.

FUNCTIONS

The device will make a beeping sound for 1 second when connected to power.

Button Operations

Power Button

1. Press the Power Button to turn on the machine, it will beep once, then the power indicator and the low wind speed indicator light turns green.
2. Press the button again, the device will beep once and all the lights will turn off.

Note: The device will remember the fan speed when it is powered off without unplugging from the power socket.

Timer Button

1. Press the Timer Button while the device is on and set the timer to 2H or 4H. The corresponding indicator light will turn on.
2. Press the button again to turn the timer off. The timer indicator will turn off and the machine will continue to operate without a timer.
3. When the timer is on, the machine will begin counting down. When the time is up, the fan will stop and all the lights will turn off.

Note: The timer function does not work when the machine is powered down.

Wind Speed Button

1. Press the Wind Speed Button while the device is on and the device will beep once.
2. Press again to adjust the wind speed. The selection will cycle between Low, Medium and High and the corresponding indicator will turn on.

Note: The wind speed cannot be changed when the device is powered off.

Light Control Button

1. Press the Light Control Button while the device is on to set the light brightness to either soft light or standard light mode.
2. Press the button again to turn the LED light off.

Note: The light control button does not respond when the device is powered off.

Filter Replacement Reminder

When the accumulated operation time of the air purifier reaches 2200 hours, the lamp ring flashes in red, which indicates that a filter replacement is required. After replacing with a new filter, press and hold the power button for about 7 seconds to reset the replacement reminder.

Note

- Please clean the dust on the filter regularly. The filter should not be washed or reused.
- Before replacing the filter, be sure to turn off the machine and unplug it from the power outlet.
- Do not use a vacuum cleaner to clean the filter.
- Please sterilize the filter under sunlight regularly.
- Please use the filter specifically designed for this product.

SMART OPERATION

Smart Life App

1. Download & Registration

- Scan the QR code to download the “Smart Life” app. You can also search “Smart Life” in either the App Store or Google Play to install the app.
- Open the “Smart Life” app and tap “Register” to register for a “Smart Life” account with your phone number or e-mail address. Then sign in to the app.



2. Adding Devices in Easy Mode (Recommend)

Make sure your smart device is charged and your mobile phone is connected to your Wi-Fi network. The Wi-Fi indicator on the smart device will flash when the smart device is in “Configuration Mode” with the mobile phone. If this is not the case, press and hold the Timer Button for more than 7 seconds. Let go of the button when you hear a “beep”, your device is now ready for configuration.

- Open the “Smart Life” app and tap “+” on the top right of the app. Select the type of device and tap “All devices” and go to “Add Device”. The password of the Wi-Fi network your mobile phone is connected will be automatically fetched to configure your device. Tap “OK” to connect to the device.
- The connection is complete when the message “Successfully added 1 device” appears. Your device will now be listed in your app.

3. Adding Devices in AP Mode

- If the device cannot be added in Easy Mode, users can try adding devices in AP Mode.
- Press and hold the Timer Button for more than 7 seconds until you hear a “beep” sound and the Wi-Fi indicator light begins to flash quickly. Then press and hold the Timer Button

for another 7 seconds until you hear another “beep” and the indicator light begins to flash slowly. This means the device is ready for configuration in AP Mode.

- Tap “+” on the top right of the app and select your device type. Then select “AP Mode” on the top right of the app. Tap “Connect now” to go to the WLAN Settings interface on your mobile phone and select the Wi-Fi network named “Smart Life_XXXX” to connect to it.
- Return to the “Smart Life” app and the connection will start automatically.
- When the message “Successfully added 1 device” appears, the connection is complete and your device will be listed in your app.

You can now control your smart device via your mobile phone app at anytime and anywhere (make sure your mobile phone and smart device are both connected to the network). You can share your devices with your friends and family after your devices have been added successfully.

4. FAQ

(1) Why can't I add a device?

- a Make sure the device is powered on and close to your mobile phone when adding the device.
- b Make sure your mobile phone is connected to the Wi-Fi network and that your Wi-Fi router is working properly.
- c Make sure the device is ready for configuration. Please refer to “Adding Devices in Easy Mode” or “Adding Devices in AP Mode” in the Instruction Manual for details.
- d Make sure the number of connected devices have not reached the maximum number supported by the Wi-Fi router. If so, please disconnect some devices from the network.
- e Make sure the Wi-Fi password is correct when adding the new device.
- f Make sure you have not used any Chinese characters when naming your Wi-Fi network.

(2) Can I control devices over a 2G/3G/4G/5G network?

When adding a device for the first time, your mobile phone and device must be connected to the same Wi-Fi network. After adding the device successfully, you can remote control your device over a 2G/3G/4G/5G network.

(3) How can I share my device with others?

Open your Smart Life app and select your device, then tap the button in the top right corner. Tap "Shared devices" and "Add sharing", then select the "country/region" the account belongs to and enter the "Account number"(a phone number or an e-mail address) you want to share with. (Please make sure the phone number or e-mail is registered).

(4) How do I manage devices shared by others?

You can operate shared devices by opening your Smart Life app and tapping the device you want to operate in the "Shared device I received" section on the home page.

(5) How do I remove devices?

Method 1: Press and hold the Timer button for more than 7 seconds, you will hear a "beep" sounds which means the device has been removed. The Wi-Fi indicator light will then begin to flash quickly.

Method 2: Open your "Smart Life" app and select your device, then tap the button in the top right corner. Tap "More", then tap the "Remove Device" option at the bottom and the Wi-Fi indicator light on the device will begin to flash quickly.

Using with Echo

1. What you need to get started

Before using Echo to control your smart devices, make sure you have the following.

- A stable Wi-Fi network that can access Amazon servers. (For mainland China users)
- An Echo device, including Echo, Echo Tap, or Echo Dot.
- An Amazon account.
- The Smart Life app and an account.
- Smart devices.

2. Add devices in the Smart Life app (Refer to App Instruction)

You can skip this part if you've already added some devices to your Smart Life account. The device names are easily recognized.

(1) Download the Smart Life app (Refer to App Instruction)

Scan the QR code below to download the Smart Life app:



You can also search "Smart Life" in either the App Store or Google Play to install the app.

(2) Register a Smart life account and sign in to the app (Refer to App Instruction)

Open the Smart Life app and tap "Register" to register an account, then sign in to the app.

(3) Add device and change device name (Refer to App Instruction)

Sign in with the Smart Life account, add the device, then change device name to an easily recognized word or phrase, like "Halo".

3. Setting up Amazon Echo and enabling the Smart Life Skill

We suggest using a web browser for configuration in mainland China since the Alexa app is not available in the region.

Users can configure Echo through the web or with the Alexa app.

Web configuration link: <http://alexa.amazon.com/spa/index.html>

Search "Amazon Alexa" in the App Store or Google Play to install the app.

App configuration will be used as an example for illustrative purposes. Configuration through web and app are basically the same.

(1) Set up Echo with the Alexa app

You can skip this part if your Echo is already set up.

1. Make sure your Echo device is powered on.
2. Open the Alexa app by tapping the app icon on your mobile device.
3. Type in your Amazon account name and password, then tap "SIGN IN".
4. Tap the menu on the top left corner and select "Settings", then tap "SET UP A NEW DEVICE".
5. Select your Echo model, choose your preferred language, then tap "CONNECT TO WI-FI".
6. Long press the dot button on the top of your Echo device until the orange light lights up, then tap "CONTINUE". When your phone is connected to Echo, tap "CONTINUE".
7. Select a Wi-Fi network so that your Echo can access the internet. Type in the Wi-Fi password, then tap "CONNECT". Echo may take several minutes to connect to the network.
8. Tap "CONTINUE" when Echo is connected to the network. After watching the introduction video, tap "CONTINUE" to finish the setup.

(2) Link Smart Life account to Alexa

1. Tap "Skills" in the hamburger menu, then search for "Smart Life". Select "Smart Life" and tap "ENABLE" to enable the Skill.
2. You will be redirected to the account link page. Type in your Smart Life account and password, don't forget to select the country/region where your account belongs to. Then tap "Link Now" to link your Smart Life account. The country/region, the account, and the password must match exactly with the details entered in Step 2.(2)

4. Control your smart devices through Echo

(1) Discover devices

Echo needs to discover your smart devices before it can control them. You can say "Alexa, discover devices" to Echo. Echo will discover devices which have already been added in the Smart Life app.

You can also tap "DISCOVER" to discover the smart devices. Discovered devices will be shown in a list.

Note: Every time you change a device's name on the Smart Life app, Echo must re-discover it before you can control it.

(2) Control devices using voice commands

Now you can control your smart devices through Echo. You can use the following commands to control your devices: (e.g.: device's name: Halo)

- Alexa, turn on/off Halo
- Alexa, set Halo to one (low fan speed mode)
- Alexa, set Halo to two (mid fan speed mode)
- Alexa, set Halo to three (high fan speed mode)

Note: Alexa only supports controlling the on/off and wind speed statuses.

MAINTENANCE

Note


- Ensure the machine is unplugged before performing any maintenance.
- Do not immerse the air purifier into water or any liquid.
- Do not use abrasive, corrosive or flammable cleaning agents (such as bleach or alcohol) to clean any part of the unit.

Cleaning & Storage

1. Ensure the machine is powered off and unplugged.
2. Use a soft cloth and a neutral cleaning agent to wipe away any dust or debris from the surface of the unit and from the air inlet/outlets.
3. After the machine is completely dried, cover it up in a bag and place it in a cool and well ventilated place.
4. If the machine hasn't been used for an extended period of time, turn the machine on for a few minutes from time to time in accordance to the previous instructions to ensure it keeps working well.

Note: Do not drop any water into the machine when cleaning the air outlets.

TROUBLESHOOTING

SITUATION	REASON
Not working	<ul style="list-style-type: none"> • Is it plugged into a power socket? Is there a power outage? • Has the home leakage switch or fuse tripped? • Is it time to replace the filter?
Poor performance	<ul style="list-style-type: none"> • Is there any dust on the surface of pre-filter? • Is there any obstacle blocking the air inlet/outlet.
Noisy	<ul style="list-style-type: none"> • Is there anything stuck on the fan in the air outlet? • Is the machine tilted? • Set a lower wind speed if the noise is too loud, or set to low wind speed when using during bedtime.
Unpleasant odour	<ul style="list-style-type: none"> • It is normal for the machine to emit a plastic smell when using for the first time. • The machine may emit an unpleasant odour if the filter is dusty. Please clean or replace the filter. • If there is a burning smell coming from the machine, please unplug from the power socket and contact the supplier or customer service.
The filter replacement reminder did not reset after replacement.	<ul style="list-style-type: none"> • Press and hold the power button  for 7s to reset the machine. The filter lifespan counter will also restart.

Note: If the troubleshooting information did not solve your problem and you require further maintenance, please contact the supplier or the after-sales service centre. Do not disassemble the machine or perform maintenance by yourself.

MODEL CODE BREAKDOWN:

BAP-HA-P0809-N29W

BAP	H	A	P	08	09	N	29	W
-----	---	---	---	----	----	---	----	---

BAP – Blaupunkt Air Purifier

H – HEPA filter

A – Active carbon

P – Prefilter

08 – 80 m³ CADR

09 – 90 m³ air delivery

N – Bladeless fan

29 – Internal No.

W – Wi-Fi

Luftreiniger

Lavender AiRing

BL08W

BAP-HA-P0809-N29W

Bedienungsanleitung



Blaupunkt Competence Center Aircons
Mateko Sp. z o.o.

ul. Przyleśna 17A

05-126 **Michałów**-Grabina

e-mail: service@mateko.pl

www.blaupunkt.com

WICHTIGE SICHERHEITSVORKEHRUNGEN

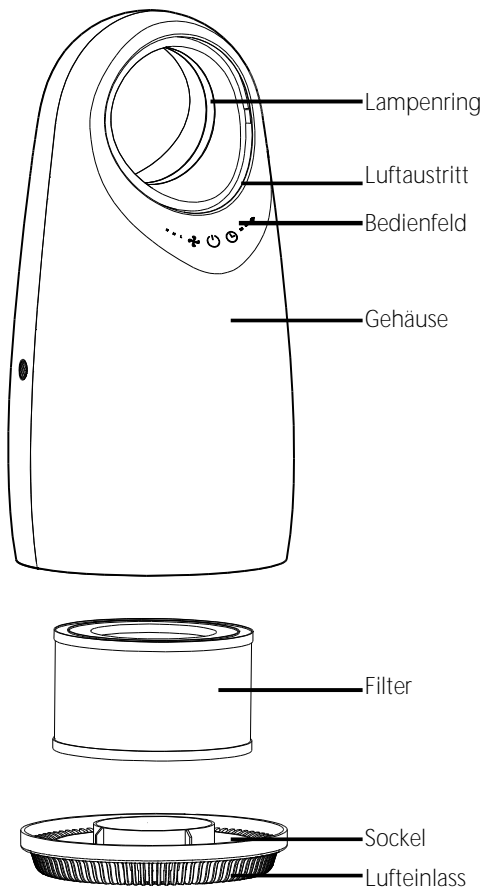
Lesen Sie diese Bedienungsanleitung vor dem Gebrauch sorgfältig durch und bewahren Sie sie für ein zukünftiges Nachschlagen gut auf.

Warnung

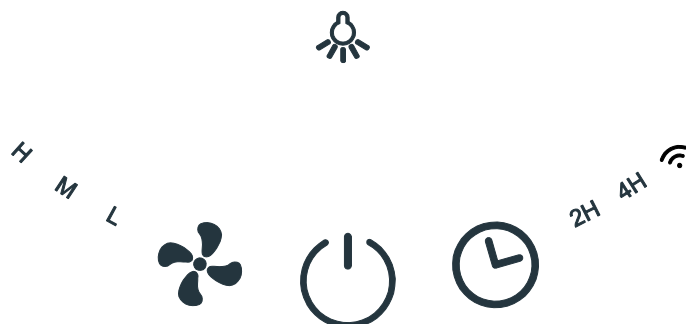
1. Lassen Sie kein Wasser, keine Flüssigkeit oder brennbare Stoffe in das Produkt gelangen und reinigen Sie das Gerät nicht, um Stromschläge und Brände zu vermeiden.
2. Versprühen Sie keine Insektizide, Parfums oder andere brennbare Substanzen in der Nähe des Geräts.
3. Bitte überprüfen Sie, ob die lokale Versorgungsspannung mit der Spannung des Geräts übereinstimmt, bevor Sie es an eine Steckdose anschließen.
4. Dieses Gerät kann nicht als Ersatz für eine normale Belüftung, für die tägliche Staubsammlung oder als Küchenbelüftung beim Kochen verwendet werden.
5. Stellen Sie sicher, dass das Gerät auf einer stabilen und horizontalen Oberfläche verwendet wird.
6. Lassen Sie mindestens 30 cm Platz hinter und an den Seiten des Geräts und mindestens 50 cm Platz über dem Gerät, wenn Sie es verwenden.
7. Stellen Sie vor der Verwendung sicher, dass sowohl der Filter als auch die Abdeckung ordnungsgemäß installiert sind.
8. Führen Sie keine Finger oder andere Gegenstände in den Luftauslass ein, um physische Schäden oder Schäden zu vermeiden.

GERÄTEÜBERSICHT

Komponenten



Bedienfeld



Netzschalter



Timer-Taste



Taste für die
Lüftergeschwindigkeit



Lichtsteuertaste

2H-4H

Timer-Anzeige

H-M-L

Anzeige für die
Lüftergeschwindigkeit



Wi-Fi-Anzeige

TECHNISCHE EIGENSCHAFTEN

Modell-Nr.	BAP-HA-P0809-N29W
Größe	213*213*432 mm
Nettogewicht	2,4 kg
Eingang	220-240 V 50 Hz/60 Hz
Leistungsaufnahme	35 W
CADR	80 m ³ /h
Abdeckungsbereich	≤ 10 m ²

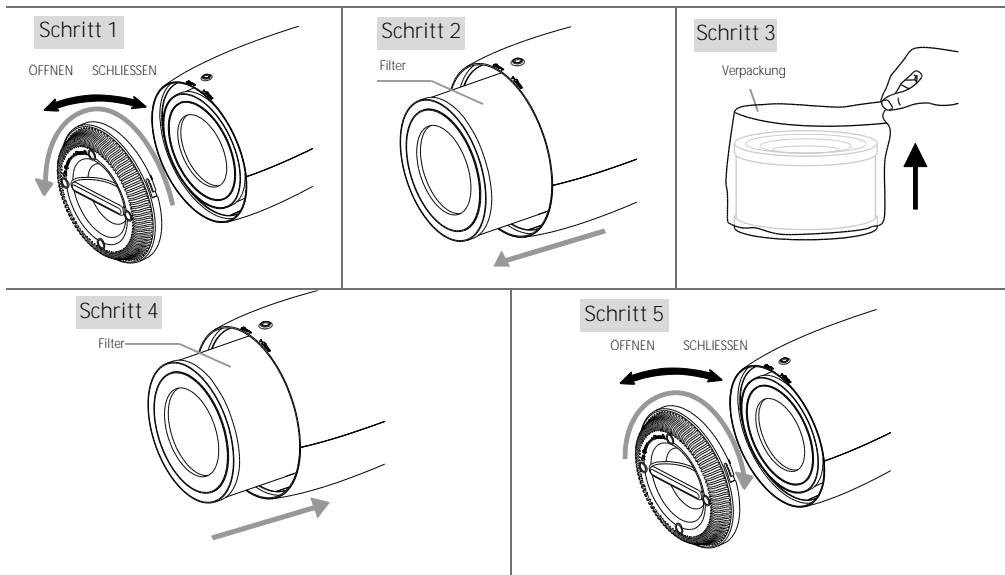
INSTALLATION DES FILTERS

Hinweis

- Bitte entfernen Sie die Filterverpackung vor der ersten Verwendung.
- Stellen Sie sicher, dass das Gerät vom Stromnetz getrennt ist, bevor Sie den Filter entfernen oder einsetzen.

Schritte bei der Installation des Filters

Trennen Sie das Gerät von der Stromquelle, bevor Sie den Filter austauschen oder einsetzen.



1. Drehen Sie das Gerät um und drehen Sie die Basis in die mit „OPEN“ gekennzeichnete Richtung.
2. Nehmen Sie den Filter aus dem Gerät.
3. Entfernen Sie die Verpackung des Filters.
4. Setzen Sie den Filter in das Gerät ein.
5. Montieren Sie die Basis, drehen Sie sie und ziehen Sie sie in der mit „CLOSE“ gekennzeichneten Richtung fest.

Hinweis: Der Filter muss ausgetauscht werden, wenn der Lampenring rot blinkt. Befolgen Sie die obigen Schritte, um einen neuen Filter einzusetzen, und drücken Sie dann den Netzschalter etwa 7 Sekunden lang, um die Filterwechselanzeige zurückzusetzen.

FUNKTIONEN

Das Gerät gibt 1 Sekunde lang einen Piepton aus, wenn es an die Stromversorgung angeschlossen ist.

Funktion der Tasten

Ein-/Aus-Taste

1. Drücken Sie die Ein-/Aus-Taste, um das Gerät einzuschalten. Es piept einmal, dann leuchten die Betriebsanzeige und die Kontrollleuchte für niedrige Lüftergeschwindigkeit grün.
2. Drücken Sie die Taste erneut, das Gerät piept einmal und alle Anzeigen gehen aus.

Hinweis: Das Gerät merkt sich die Lüftergeschwindigkeit, wenn es ausgeschaltet wird, ohne den Netzstecker zu ziehen.

Timer-Taste

1. Drücken Sie die Timer-Taste, während das Gerät eingeschaltet ist, und stellen Sie den Timer auf 2 Std. oder 4 Std. ein. Die entsprechende Kontrollleuchte leuchtet auf.
2. Drücken Sie die Taste erneut, um den Timer auszuschalten. Die Timer-Anzeige erlischt und das Gerät arbeitet ohne Timer weiter.
3. Wenn der Timer eingeschaltet ist, beginnt das Gerät mit der entsprechenden Laufzeit. Wenn die Zeit abgelaufen ist, stoppt der Lüfter und alle Anzeigelampen gehen aus.

Hinweis: Die Timer-Funktion funktioniert nicht, wenn das Gerät ausgeschaltet ist.

Taste für die Lüftergeschwindigkeit

1. Drücken Sie die Lüftergeschwindigkeitstaste, während das Gerät eingeschaltet ist, und das Gerät piept einmal.
2. Drücken Sie die Taste erneut, um die Lüftergeschwindigkeit anzupassen. Die Auswahl wechselt zwischen Niedrig, Mittel und Hoch und die entsprechende Anzeige leuchtet auf.

Hinweis: Die Lüftergeschwindigkeit kann nicht geändert werden, wenn das Gerät ausgeschaltet ist.

Lichtsteuertaste

1. Drücken Sie die Lichtsteuertaste, während das Gerät eingeschaltet ist, um die Lichthelligkeit entweder auf weiches Licht oder auf den Standardlichtmodus einzustellen.
2. Drücken Sie die Taste erneut, um das LED-Licht auszuschalten.

Hinweis: Die Lichtsteuertaste reagiert nicht, wenn das Gerät ausgeschaltet ist.

Anzeige für den Ersatz des Filters

Wenn die gesamte Betriebszeit des Luftreinigers 2200 Stunden erreicht hat, blinkt der Lampenring rot, was darauf hinweist, dass ein Filterwechsel erforderlich ist. Halten Sie nach dem Ersetzen durch einen neuen Filter die Ein-/Aus-Taste etwa 7 Sekunden lang gedrückt, um die Anzeige zurückzusetzen.

Hinweis

- Bitte entfernen Sie regelmäßig den Staub auf dem Filter. Der Filter sollte nicht gewaschen oder wiederverwendet werden.
- Schalten Sie das Gerät aus und ziehen Sie den Netzstecker aus der Steckdose, bevor Sie den Filter austauschen.

- Verwenden Sie zum Reinigen des Filters keinen Staubsauger.
- Bitte sterilisieren Sie den Filter regelmäßig unter Sonnenlicht.
- Bitte verwenden Sie nur speziell für dieses Gerät entwickelte Filter.

SMART-BETRIEB

Smart Life-App

1. Download & Registrierung

- Scannen Sie den QR-Code, um die „Smart Life“-App herunterzuladen. Sie können auch im App Store oder bei Google Play nach „Smart Life“ suchen, um die App zu installieren.
- Öffnen Sie die „Smart Life“-App und tippen Sie auf „Register“, um sich für ein „Smart Life“-Konto mit Ihrer Telefonnummer oder E-Mail-Adresse zu registrieren. Dann melden Sie sich in der App an.



2. Hinzufügen von Geräten im einfachen Modus (empfohlen)

Stellen Sie sicher, dass Ihr Smart-Gerät aufgeladen und Ihr Mobiltelefon mit Ihrem WLAN-Netzwerk verbunden ist. Die WLAN-Anzeige auf dem Smart-Gerät blinkt, wenn sich das Smart-Gerät mit dem Mobiltelefon im „Konfigurationsmodus“ befindet. Ist dies nicht der Fall, halten Sie die Timer-Taste länger als 7 Sekunden gedrückt. Lassen Sie die Taste los, wenn Sie einen Piepton hören. Ihr Gerät ist jetzt für die Konfiguration bereit.

- Öffnen Sie die „Smart Life“-App und tippen Sie oben rechts in der App auf „+“. Wählen Sie den Gerätetyp aus, tippen Sie auf „All devices“ und gehen Sie zu „Add Device“. Das Passwort des WLAN-Netzwerks, mit dem Ihr Mobiltelefon verbunden ist, wird automatisch abgerufen, um Ihr Gerät zu konfigurieren. Tippen Sie auf „OK“, um eine Verbindung zum Gerät herzustellen.
- Die Verbindung ist hergestellt, wenn die Meldung „Successfully added 1 device“ angezeigt wird. Ihr Gerät wird nun in Ihrer App aufgelistet.

3. Hinzufügen von Geräten im AP-Modus

- Wenn das Gerät im einfachen Modus nicht hinzugefügt werden kann, können Benutzer versuchen, Geräte im AP-Modus hinzuzufügen.
- Halten Sie die Timer-Taste länger als 7 Sekunden gedrückt, bis Sie einen Piepton hören und die WLAN-Anzeigelampe schnell zu blinken beginnt. Halten Sie dann die Timer-Taste weitere 7 Sekunden lang gedrückt, bis Sie einen weiteren „Piepton“ hören und die Anzeigelampe langsam zu blinken beginnt. Dies bedeutet, dass das Gerät für die Konfiguration im AP-Modus bereit ist.
- Tippen Sie oben rechts in der App auf „+“ und wählen Sie Ihren Gerätetyp aus. Wählen Sie dann oben rechts in der App „AP Mode“. Tippen Sie auf „Connect now“, um zur WLAN-Einstellungsoberfläche Ihres Mobiltelefons zu gelangen, und wählen Sie das WLAN-Netzwerk mit dem Namen „Smart Life_XXXX“ aus, um eine Verbindung herzustellen.
- Kehren Sie zur „Smart Life“-App zurück und die Verbindung wird automatisch gestartet.
- Wenn die Meldung „Successfully added 1 device“ angezeigt wird, ist die Verbindung hergestellt und Ihr Gerät wird in Ihrer App aufgelistet.

Sie können Ihr Smart-Gerät jetzt jederzeit und überall über Ihre Handy-App steuern (stellen Sie sicher, dass sowohl Ihr Handy als auch Ihr Smart-Gerät mit dem Netzwerk verbunden sind). Sie können Ihre Geräte mit Ihren Freunden und Ihrer Familie teilen, nachdem Ihre Geräte erfolgreich hinzugefügt wurden.

4. FAQ

(1) Warum kann ich kein Gerät hinzufügen?

- a Stellen Sie sicher, dass das Gerät eingeschaltet ist und sich in der Nähe Ihres Mobiltelefons befindet, wenn Sie das Gerät hinzufügen.
- b Stellen Sie sicher, dass Ihr Mobiltelefon mit dem WLAN-Netzwerk verbunden ist und Ihr WLAN-Router ordnungsgemäß funktioniert.
- c Stellen Sie sicher, dass das Gerät zur Konfiguration bereit ist. Weitere Informationen finden Sie unter „Hinzufügen von Geräten im einfachen Modus“ oder „Hinzufügen von Geräten im AP-Modus“ in der Bedienungsanleitung.

-
- d Stellen Sie sicher, dass die Anzahl der verbundenen Geräte nicht die vom WLAN-Router unterstützte maximale Anzahl erreicht hat. Wenn ja, trennen Sie bitte einige Geräte vom Netzwerk.
 - e Stellen Sie sicher, dass das WLAN-Kennwort korrekt ist, wenn Sie das neue Gerät hinzufügen.
 - f Stellen Sie sicher, dass Sie beim Benennen Ihres WLAN-Netzwerks keine chinesischen Schriftzeichen verwendet haben.

(2) Kann ich Geräte über ein 2G/3G/4G/5G-Netzwerk steuern?

Wenn Sie zum ersten Mal ein Gerät hinzufügen, müssen Ihr Mobiltelefon und Ihr Gerät mit demselben WLAN-Netzwerk verbunden sein. Nachdem Sie das Gerät erfolgreich hinzugefügt haben, können Sie Ihr Gerät über ein 2G/3G/4G/5G-Netzwerk fernsteuern.

(3) Wie kann ich mein Gerät mit anderen teilen?

Öffnen Sie Ihre Smart Life-App, wählen Sie Ihr Gerät aus und tippen Sie auf die Schaltfläche in der oberen rechten Ecke. Tippen Sie auf „Shared devices“ und „Add sharing“, wählen Sie dann „das Land/die Region“ aus, zu der das Konto gehört, und geben Sie die „Account number“ (eine Telefonnummer oder eine E-Mail-Adresse) ein, mit der Sie freigeben möchten. (Bitte stellen Sie sicher, dass die Telefonnummer oder E-Mail registriert ist).

(4) Wie verwalte ich Geräte, die von anderen geteilt werden?

Sie können freigegebene Geräte bedienen, indem Sie Ihre Smart Life-App öffnen und auf das Gerät tippen, das Sie im Abschnitt „Shared device I received“ auf der Startseite betreiben möchten.

(5) Wie entferne ich Geräte?

Methode 1: Halten Sie die Timer-Taste länger als 7 Sekunden gedrückt. Sie hören einen Piepton, was bedeutet, dass das Gerät entfernt wurde. Die WLAN-Anzeigelampe beginnt dann schnell zu blinken.

Methode 2: Öffnen Sie Ihre „Smart Life“-App, wählen Sie Ihr Gerät aus und tippen Sie auf die Schaltfläche in der oberen rechten Ecke. Tippen Sie auf „More“ und anschließend unten auf die Option „Remove Device“. Die WLAN-Anzeigelampe am Gerät beginnt schnell zu blinken.

Verwendung mit Echo

1. Was Sie brauchen, um loszulegen

Stellen Sie Folgendes sicher, bevor Sie Echo zur Steuerung Ihrer Smart-Geräte verwenden.

- Ein stabiles WLAN-Netzwerk, das auf Amazon-Server zugreifen kann. (Für Benutzer auf dem chinesischen Festland)
- Ein Echo-Gerät, einschließlich Echo, Echo Tap oder Echo Dot.
- Ein Amazon-Konto.
- Die Smart Life-App und ein Konto.
- Smart-Geräte.

2. Hinzufügen von Geräten zur Smart Life-App (siehe App-Anleitung)

Sie können diesen Teil überspringen, wenn Sie Ihrem Smart Life-Konto bereits einige Geräte hinzugefügt haben. Die Gerätenamen sind leicht zu erkennen.

(1) Laden Sie die Smart Life-App herunter (siehe App-Anleitung).

Scannen Sie den folgenden QR-Code, um die Smart Life-App herunterzuladen:



Sie können auch im App Store oder bei Google Play nach „Smart Life“ suchen, um die App zu installieren.

(2) Registrieren Sie ein Smart Life-Konto und melden Sie sich bei der App an (siehe App-Anleitung).

Öffnen Sie die Smart Life-App und tippen Sie auf „Register“, um ein Konto zu registrieren. Melden Sie sich dann bei der App an.

- (3) Fügen Sie ein Gerät hinzu und ändern Sie den Gerätenamen (siehe App-Anleitung).

Melden Sie sich mit dem Smart Life-Konto an, fügen Sie das Gerät hinzu und ändern Sie den Gerätenamen in ein leicht erkennbares Wort oder einen Begriff wie „Halo“.

3. Einrichten von Amazon Echo und Aktivieren des Smart Life-Skills

Wir empfehlen die Verwendung eines Webbrowsers für die Konfiguration auf dem chinesischen Festland, da die Alexa-App in der Region nicht verfügbar ist.

Benutzer können Echo über das Web oder mit der Alexa-App konfigurieren.

Link zur Webkonfiguration: <http://alexa.amazon.com/spa/index.html>

Suchen Sie im App Store oder bei Google Play nach „Amazon Alexa“, um die App zu installieren.

Die App-Konfiguration wird zur Veranschaulichung als Beispiel verwendet. Die Konfiguration über Web und App ist grundsätzlich gleich.

- (1) Einrichtung von Echo über die Alexa-App

Sie können diesen Teil überspringen, wenn Ihr Echo bereits eingerichtet ist.

1. Stellen Sie sicher, dass Ihr Echo-Gerät eingeschaltet ist.
2. Öffnen Sie die Alexa-App, indem Sie auf das App-Symbol auf Ihrem Mobilgerät tippen.
3. Geben Sie den Namen und das Passwort Ihres Amazon-Kontos ein und tippen Sie auf „SIGN IN“.
4. Tippen Sie auf das Menü in der oberen linken Ecke und wählen Sie „Settings“. Tippen Sie anschließend auf „SET UP A NEW DEVICE“.
5. Wählen Sie Ihr Echo-Modell aus, wählen Sie Ihre bevorzugte Sprache und tippen Sie dann auf „CONNECT TO WI-FI“.
6. Drücken Sie lange auf die Punktstaste oben auf Ihrem Echo-Gerät, bis das orangefarbene Licht aufleuchtet, und tippen Sie dann auf „CONTINUE“. Wenn Ihr Telefon mit Echo verbunden ist, tippen Sie auf „CONTINUE“.

7. Wählen Sie ein WLAN-Netzwerk aus, damit Ihr Echo auf das Internet zugreifen kann. Geben Sie das WLAN-Passwort ein und tippen Sie auf „CONNECT“. Die Verbindung zum Netzwerk kann einige Minuten dauern.
8. Tippen Sie auf „CONTINUE“, wenn Echo mit dem Netzwerk verbunden ist. Tippen Sie nach dem Ansehen des Einführungsvideos auf „CONTINUE“, um die Einrichtung abzuschließen.

(2) Verknüpfung des Smart Life-Kontos mit Alexa

1. Tippen Sie im Auswahlmenü auf „Skills“ und suchen Sie nach „Smart Life“. Wählen Sie „Smart Life“ und tippen Sie auf „ENABLE“, um den Skill zu aktivieren.
2. Sie werden zur Kontoverknüpfungsseite weitergeleitet. Geben Sie Ihren Smart Life-Kontonamen und Ihr Passwort ein. Vergessen Sie nicht, das Land/die Region auszuwählen, zu der Ihr Konto gehört. Tippen Sie anschließend auf „Link Now“, um Ihr Smart Life-Konto zu verknüpfen. Das Land/die Region, das Konto und das Passwort müssen genau mit den in Schritt 2 eingegebenen Details übereinstimmen. (2)

4. Steuern Sie Ihre Smart-Geräte über Echo

(1) Geräte erkennen

Echo muss Ihre Smart-Geräte erkennen, bevor das Gerät sie steuern kann. Sie können zu Echo „Alexa, discover devices“ sagen. Echo erkennt Geräte, die bereits in der Smart Life-App hinzugefügt wurden.

Sie können auch auf „DISCOVER“ tippen, um die Smart-Geräte zu ermitteln. Entdeckte Geräte werden in einer Liste angezeigt.

Hinweis: Jedes Mal, wenn Sie den Namen eines Geräts in der Smart Life-App ändern, muss Echo es erneut entdecken, bevor Sie es steuern können.

(2) Geräte mit Sprachbefehlen steuern

Jetzt können Sie Ihre Smart-Geräte über Echo steuern. Mit den folgenden Befehlen können Sie Ihre Geräte steuern: (z. B.: Gerätename: Halo)

- Alexa, Halo einschalten/ausschalten
- Alexa, stelle Halo auf eins (Modus mit niedriger Lüftergeschwindigkeit)
- Alexa, stelle Halo auf zwei (Modus mit mittlerer Lüftergeschwindigkeit)
- Alexa, stelle Halo auf drei (Modus mit hoher Lüftergeschwindigkeit)

Hinweis: Alexa unterstützt nur die Steuerung von Ein/Aus und der Lüftergeschwindigkeit.

WARTUNG

Hinweis


- Stellen Sie sicher, dass das Gerät vom Stromnetz getrennt ist, bevor Sie Wartungsarbeiten durchführen.
- Tauchen Sie den Luftreiniger nicht in Wasser oder Flüssigkeiten.
- Verwenden Sie keine scheuernden, ätzenden oder brennbaren Reinigungsmittel (wie Bleichmittel oder Alkohol), um Teile des Geräts zu reinigen.

Reinigung & Lagerung

1. Stellen Sie sicher, dass das Gerät ausgeschaltet und vom Stromnetz getrennt ist.
2. Wischen Sie Staub oder Schmutz von der Oberfläche des Geräts und vom Lufteinlass/-auslass mit einem weichen Tuch und einem neutralen Reinigungsmittel ab.
3. Nachdem das Gerät vollständig getrocknet ist, verstauen Sie es in einem Beutel und stellen Sie es an einen kühlen und gut belüfteten Ort.
4. Wenn das Gerät längere Zeit nicht benutzt wurde, schalten Sie es von Zeit zu Zeit einige Minuten lang gemäß den vorherigen Anweisungen ein, um sicherzustellen, dass es weiterhin einwandfrei funktioniert.

Hinweis: Lassen Sie beim Reinigen der Luftauslässe kein Wasser in die Maschine tropfen.

FEHLERBEHEBUNG

SITUATION	GRUND
Funktioniert nicht	<ul style="list-style-type: none"> • Ist es an eine Steckdose angeschlossen? Gibt es einen Stromausfall? • Hat der Hausleckschalter oder die Sicherung ausgelöst? • Ist es Zeit, den Filter auszutauschen?
Schwache Leistung	<ul style="list-style-type: none"> • Befindet sich Staub auf der Oberfläche des Vorfilters? • Gibt es ein Hindernis, das den Lufteinlass/-auslass blockiert?
Lauter Betrieb	<ul style="list-style-type: none"> • Hat sich etwas am Lüfter im Luftauslass verklemmt? • Steht das Gerät nicht gerade? • Stellen Sie eine niedrigere Lüftergeschwindigkeit ein, wenn das Betriebsgeräusch zu laut ist, oder stellen Sie eine niedrige Lüftergeschwindigkeit ein, wenn Sie das Gerät während der Schlafenszeit verwenden wollen.
Unangenehmer Geruch	<ul style="list-style-type: none"> • Es ist normal, dass das Gerät bei der ersten Verwendung einen Plastikgeruch abgibt. • Das Gerät kann einen unangenehmen Geruch abgeben, wenn der Filter staubig ist. Bitte reinigen oder ersetzen Sie den Filter. • Wenn das Gerät einen brennenden Geruch abgibt, ziehen Sie bitte den Netzstecker aus der Steckdose und wenden Sie sich an den Lieferanten oder den Kundendienst.
Die Erinnerung an den Filterwechsel wurde nach dem Austausch nicht zurückgesetzt.	<ul style="list-style-type: none"> • Halten Sie den Ein-/Aus-Schalter  für 7 Sekunden gedrückt, um das Gerät zurückzusetzen. Der Zähler für die Filterlebensdauer wird ebenfalls zurückgesetzt.

Hinweis: Wenn die Informationen zur Fehlerbehebung Ihr Problem nicht gelöst haben und Sie weitere Wartungsarbeiten benötigen, wenden Sie sich bitte an den Lieferanten oder das Kundendienstzentrum. Nehmen Sie das Gerät nicht selbst auseinander und führen Sie auch keine Wartungsarbeiten selbst durch.

MODEL NUMMER AUFSCHÜSSELUNG:

BAP-HA-P0809-N29W

BAP	H	A	P	08	09	N	29	W
-----	---	---	---	----	----	---	----	---

BAP – Blaupunkt Luftreiniger

H – HEPA-Filter

A – Aktivkohle

P – Vorfilter

08 – 80 m³ CADR (Durchgangswert für saubere Luft)

09 – 90 m³ Luftzufuhr

N – Lüfter ohne Schaufeln

29 – Interne Nr.

W – Wi-Fi

Oczyszczacz powietrza

Lavender AiRing

BL08W

BAP-HA-P0809-N29W

Instrukcja obsługi



Blaupunkt Competence Center Aircons
Mateko Sp. z o.o.

ul. Przyleśna 17A

05-126 **Michałów**-Grabina

e-mail: service@mateko.pl

www.blaupunkt.com

BEZPIECZEŃSTWO

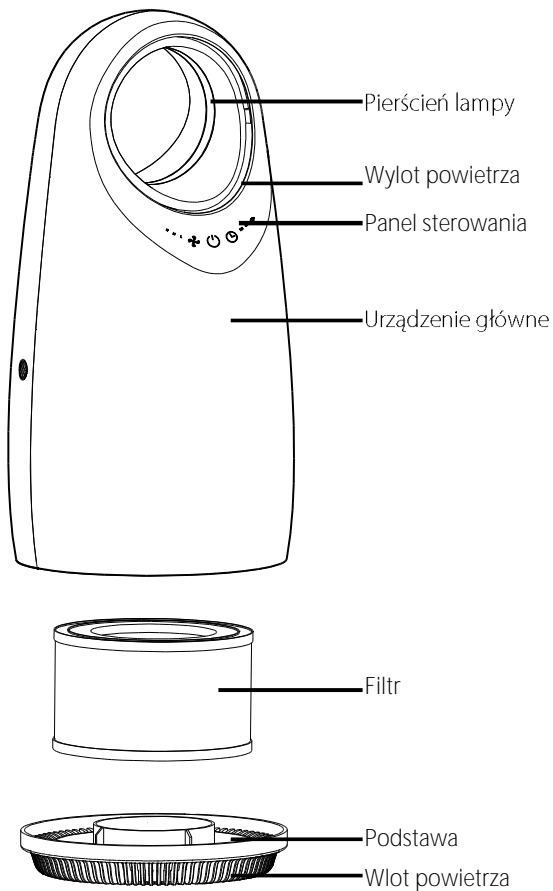
Przed użyciem urządzenia uważnie przeczytaj instrukcję i zachowaj ją, aby móc z niej skorzystać w przyszłości.

Ostrzeżenie

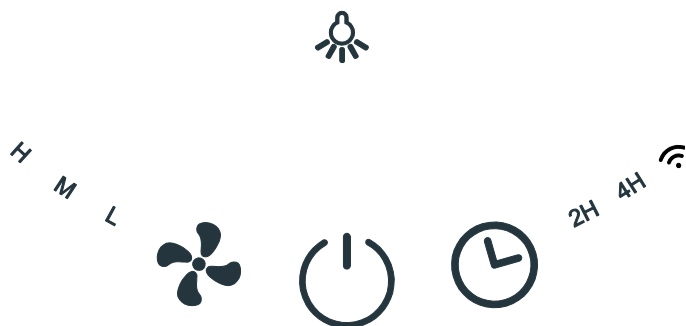
1. Aby uniknąć porażenia prądem i pożaru, nie dopuść do przedostania się do urządzenia wody, płynów ani żadnych substancji palnych ani nie używaj takich środków do czyszczenia urządzenia.
2. Nie rozpylaj w pobliżu urządzenia środków owadobójczych, perfum lub innych substancji palnych.
3. Przed podłączeniem urządzenia do źródła zasilania sprawdź, czy napięcie elektryczne w miejscu instalacji jest zgodne ze specyfikacją urządzenia.
4. Urządzenie nie może zastępować standardowej wentylacji, służyć do zbierania codziennie gromadzącego się kurzu ani jako wentylacja kuchni podczas gotowania.
5. Upewnij się, że użytkowane urządzenie jest ustawione na stabilnej, poziomej powierzchni.
6. Pozostaw przynajmniej 30 cm przestrzeni za i po bokach urządzenia oraz przynajmniej 50 cm przestrzeni nad urządzeniem, które jest użytkowane.
7. Przed użyciem urządzenia upewnij się, że filtr i pokrywa są poprawnie zainstalowane.
8. Nie umieszczaj palców lub innych przedmiotów we wlocie/wylocie powietrza, aby uniknąć szkód materialnych lub obrażeń ciała.

OPIS URZĄDZENIA

Elementy



Panel sterowania



Przycisk zasilania



Przycisk sterowania światłem



Przycisk czasu pracy

2H-4H

Lampka wskaźnika czasu



Przycisk mocy wentylatora

H-M-L

Lampka wskaźnika mocy wentylatora



Lampka wskaźnika Wi-Fi

SPECYFIKACJA

Model	BAP-HA-P0809-N29W
Wymiary	213 × 213 × 432 mm
Masa netto	2,4 kg
Wejście	220-240 V, 50/60 Hz
Zasilanie	35 W
Wskaźnik ilości powietrza oczyszczonego z formaldehydów (CADR)	80 m ³ /godz.
Powierzchnia pomieszczenia	≤10 m ²

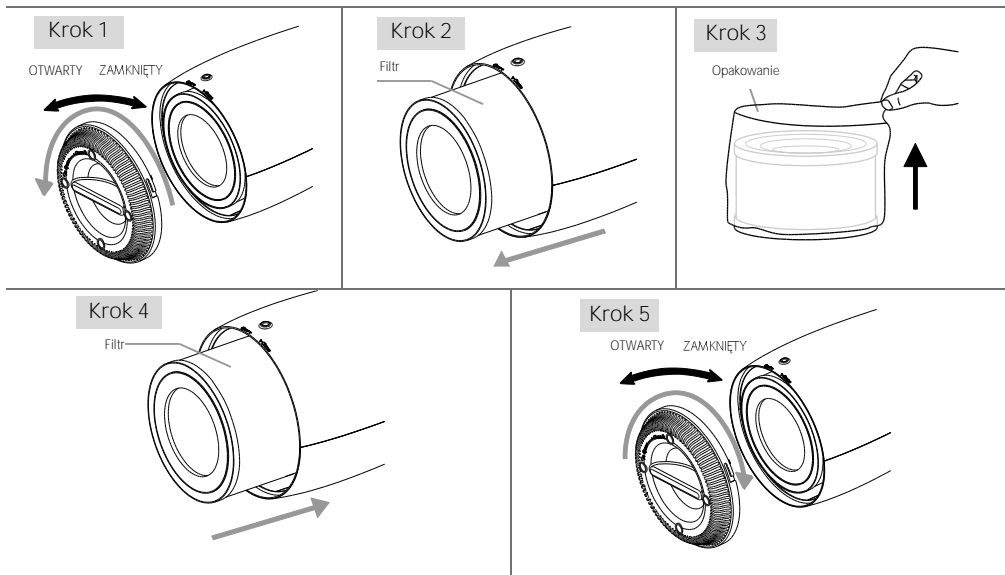
INSTALACJA FILTRA

Uwaga

- Przed użyciem filtra zdejmij jego opakowanie.
- Przed wyjęciem lub zainstalowaniem filtra upewnij się, że urządzenie jest odłączone od zasilania.

Procedura instalacji filtra

Przed zainstalowaniem lub wyjęciem filtra odłącz urządzenie od źródła zasilania.



1. Obróć urządzenie i odkręć jego podstawę w kierunku oznaczonym jako OTWARTY.
2. Wyjmij filtr z urządzenia.
3. Zdejmij opakowanie z filtra.
4. Zainstaluj filtr w urządzeniu.
5. Zainstaluj podstawę i obróć ją w kierunku oznaczonym jako CLOSE.

Uwaga: Gdy zajdzie konieczność wymiany filtra pierścieni lampy zacnie migać w kolorze czerwonym. Skorzystaj z procedury opisanej powyżej, aby zainstalować nowy filtr, a następnie przytrzymaj przycisk zasilania przez około 7 sekund, aby zresetować wskaźnik wymiany filtra.

FUNKCJE

Po podłączeniu do zasilania urządzenie emituje pulsujący dźwięk przez 1 sekundę.

Obsługa przycisków

Przycisk zasilania

1. Naciśnij przycisk zasilania, aby włączyć urządzenie. Wyemitowany zostanie pojedynczy dźwięk, a następnie włączą się wskaźniki (zielony) zasilania oraz niskiej mocy wentylatora.
2. Naciśnij przycisk ponownie, urządzenie wyda pojedynczy dźwięk i wszystkie lampki zgasną.

Uwaga: Urządzenie zapamiętuje ustawienie mocy wentylatora po wyłączeniu zasilania, jeżeli nie zostanie odłączone od źródła zasilania.

Przycisk czasu pracy

1. Naciśnij Przycisk czasu pracy, gdy urządzenie jest włączone i ustaw czas pracy: 2 godz. lub 4 godz. Lampka odpowiedniego wskaźnika włączy się.
2. Ponownie naciśnij przycisk, aby anulować ustawienie czasu pracy. Wskaźnik czasu pracy wyłączy się, a urządzenie będzie nadal działać bez ustawionego czasu pracy.
3. Po włączeniu ustawienia czasu pracy rozpoczyna się odliczanie. Po upływie czasu, wentylator wyłącza się, a lampka gaśnie.

Uwaga: Funkcja czasu pracy nie działa, gdy urządzenie jest wyłączone.

Przycisk mocy wentylatora

1. Naciśnij Przycisk mocy wentylatora, gdy urządzenie jest włączone. Urządzenie wyda pojedynczy dźwięk.

2. Ponownie naciśnij przycisk, aby ustawić moc wentylatora. Naciskanie przycisku powoduje przełączanie kolejnych ustawień mocy: niska, średnia, wysoka i włączenie odpowiedniej lampki.

Uwaga: Mocy wentylatora nie można zmienić, gdy urządzenie jest wyłączone.



Przycisk sterowania światłem

1. Naciśnij Przycisk sterowania światłem, gdy urządzenie jest włączone, aby ustawić jasność światła. Do wyboru jest tryb miękkiego światła i tryb światła standardowego.
2. Ponownie naciśnij przycisk, aby wyłączyć oświetlenie diodowe.

Uwaga: Przycisk sterowania światłem nie działa, gdy urządzenie jest wyłączone.

Przypomnienie o wymianie filtra

Gdy łączny czas pracy oczyszczacza powietrza osiągnie 2200 godzin, pierścień lampy zacznie migać w kolorze czerwonym, co oznacza konieczność wymiany filtra. Po wymianie filtra na nowy, naciśnij i przytrzymaj przycisk zasilania przez około 7 sekund, aby zresetować przypomnienie o wymianie filtra.

Uwaga

- Regularnie usuwaj kurz z filtra. Filtra nie można prać ani wykorzystywać ponownie.
- Przed wymianą filtra pamiętaj, aby wyłączyć urządzenie i odłączyć je od zasilania.
- Nie czyść filtra odkurzaczem.
- Regularnie sterylizuj filtr w promieniach słonecznych.
- Korzystaj z filtrów przeznaczonych dla niniejszego urządzenia.

INTELIĞENTNA OBSŁUGA

Aplikacja Smart Life

1. Pobieranie i rejestracja

- Zeskanuj kod QR, aby pobrać aplikację „Smart Life”. Aby zainstalować aplikację, możesz też wyszukać nazwę „Smart Life” w App Store lub sklepie Google Play.
- Otwórz aplikację „Smart Life” i naciśnij „Register”, aby zarejestrować konto Smart Life dla swojego numeru telefonu lub adresu e-mail. Następnie zaloguj się w aplikacji.



2. Dodawanie urządzeń w trybie Easy Mode (zalecane)

Upewnij się, że urządzenie inteligentne jest naładowane, a telefon komórkowy jest połączony z siecią Wi-Fi. Wskaźnik Wi-Fi na urządzeniu inteligentnym zacznie migać, gdy urządzenie przejdzie do trybu konfigurowania z telefonem komórkowym (Configuration Mode). Jeżeli tak się nie stanie, naciśnij i przytrzymaj Przycisk czasu pracy przez ponad 7 sekund. Puść przycisk, gdy usłyszysz sygnał dźwiękowy. Urządzenie jest gotowe do konfiguracji.

- Otwórz aplikację „Smart Life” i naciśnij „+” w prawym górnym rogu okna aplikacji. Wybierz typ urządzenia i naciśnij „All devices” i przejdź do „Add Device”. Hasło do sieci Wi-Fi, z którą połączony jest telefon komórkowy zostanie automatycznie przechwycone w celu skonfigurowania urządzenia. Naciśnij „OK”, aby połączyć się z urządzeniem.
- Połączenie sygnalizowane jest komunikatem „Successfully added 1 device”. Urządzenie będzie od teraz widoczne na liście w aplikacji.

3. Dodawanie urządzeń w trybie AP Mode

- Jeżeli nie można dodać urządzenia w trybie Easy Mode, spróbuj dodać je w trybie AP Mode.

- Naciśnij i przytrzymaj Przycisk czasu pracy przez ponad 7 sekund, aż usłyszysz sygnał dźwiękowy, a wskaźnik Wi-Fi zacznie szybko migać. Następnie naciśnij i przytrzymaj Przycisk czasu pracy przez kolejne 7 sekund, aż usłyszysz kolejny sygnał dźwiękowy, a wskaźnik zacznie migać powoli. Oznacza to gotowość urządzenia na konfigurację w trybie AP Mode.
- Naciśnij „+” w prawym górnym rogu okna aplikacji i wybierz typ urządzenia. Następnie w prawym górnym rogu okna aplikacji wybierz „AP Mode”. Naciśnij „Connect now”, aby przejść do interfejsu ustawień sieci WLAN w telefonie komórkowym i wybierz sieć Wi-Fi o nazwie „Smart Life_XXXX”, aby się z nią połączyć.
- Powróć do aplikacji Smart Life. Połączenie rozpocznie się automatycznie.
- Gdy pojawi się komunikat „Successfully added 1 device”, oznacza to pomyślne nawiązanie połączenia. Od teraz urządzenie będzie wyświetlane na liście urządzeń w aplikacji.

Od tej chwili możesz sterować urządzeniem inteligentnym za pomocą aplikacji na telefonie komórkowym, w dowolnym momencie i z dowolnego miejsca (upewnij się, że urządzenie inteligentne i telefon komórkowy są połączone z siecią). Po pomyślnym dodaniu urządzeń możesz je udostępniać rodzinie i przyjaciołom.

4. PYTANIA I ODPOWIEDZI

(1) Dlaczego nie mogę dodać urządzenia?

- a Upewnij się, że podczas dodawania urządzenia jest ono włączone i że znajduje się w pobliżu telefonu komórkowego.
- b Upewnij się, że telefon komórkowy jest połączony z siecią Wi-Fi i że router Wi-Fi działa poprawnie.
- c Upewnij się, że urządzenie jest gotowe do konfiguracji. Więcej informacji znajdziesz w sekcji „Dodawanie urządzeń w trybie Easy Mode” lub sekcji „Dodawanie urządzeń w trybie AP Mode” instrukcji obsługi.
- d Upewnij się, że liczba podłączonych urządzeń nie przekroczyła maksymalnej liczby obsługiwanej przez router Wi-Fi. Jeśli tak się stanie, odłącz kilka urządzeń od sieci.
- e Dodając nowe urządzenie, upewnij się, że hasło do sieci Wi-Fi jest poprawne.

f Upewnij się, że w nazwie sieci Wi-Fi nie zostały wykorzystane chińskie znaki.

(2) Czy można sterować urządzeniami przez sieć 2G/3G/4G/5G?

Gdy dodajesz urządzenie po raz pierwszy, telefon komórkowy i urządzenie muszą być podłączone do tej samej sieci Wi-Fi. Po pomyślnym dodaniu urządzenia można nim zdalnie sterować przez sieć 2G/3G/4G/5G.

(3) Jak udostępniać urządzenia innym osobom?

Otwórz aplikację Smart Life i wybierz urządzenie, a następnie naciśnij przycisk w prawym górnym rogu. Naciśnij „Shared devices” i „Add sharing”, a następnie wybierz „country/region” (kraj/region), w którym zarejestrowano konto, po czym wprowadź „Account number” (numer telefonu lub adres e-mail) osoby, z którą chcesz współdzielić urządzenie. (Upewnij się, że numer telefonu lub adres e-mail jest zarejestrowany).

(4) Jak zarządzać urządzeniami udostępnianymi przez inne osoby?

Udostępnione urządzenia można obsługiwać, otwierając aplikację Smart Life i naciskając, w sekcji „Shared device I received” strony głównej aplikacji, nazwę urządzenia, którym chcesz sterować.

(5) Jak usunąć urządzenia?

Sposób 1: Naciśnij i przytrzymaj Przycisk czasu pracy przez ponad 7 sekund. Usłyszysz sygnał dźwiękowy, co oznacza usunięcie urządzenia. Lampka wskaźnika Wi-Fi zacznie szybko migać.

Sposób 2: Otwórz aplikację Smart Life i wybierz urządzenie, a następnie naciśnij przycisk w prawym górnym rogu. Naciśnij przycisk „More”, a następnie naciśnij opcję „Remove Device” na dole. Lampka wskaźnika Wi-Fi na urządzeniu zacznie szybko migać.

Obsługa przez głośnik Echo

1. Co będzie potrzebne?

Aby możliwe było sterowanie urządzeniami przez głośnik Echo, upewnij się, że masz dostęp do poniższych rozwiązań.

- Stabilna sieć Wi-Fi, która umożliwia dostęp do serwerów Amazon. (Dla użytkowników z Chin kontynentalnych)
- Głośnik Echo, w tym Echo, Echo Tap lub Echo Dot.
- Konto w usłudze Amazon.
- Aplikacja i konto Smart Life.
- Urządzenia inteligentne.

2. Dodaj urządzenia w aplikacji Smart Life (zajrzyj do instrukcji obsługi aplikacji)

Możesz pominąć ten krok, jeżeli urządzenia zostały już dodane do konta Smart Life. Nazwy urządzeń ułatwiają ich rozpoznanie.

(1) Pobierz aplikację Smart Life (zajrzyj do instrukcji obsługi aplikacji)

Zeskanuj poniższy kod QR, aby pobrać aplikację Smart Life.



Aby zainstalować aplikację, możesz też wyszukać nazwę „Smart Life” w App Store lub sklepie Google Play.

(2) Zarejestruj konto Smart Life i zaloguj się w aplikacji (zajrzyj do instrukcji obsługi aplikacji)

Otwórz aplikację Smart Life i naciśnij „Register”, aby zarejestrować konto, a następnie zaloguj się w aplikacji.

- (3) Dodaj urządzenie i zmień nazwę urządzenia (zajrzyj do instrukcji obsługi aplikacji)

Zaloguj się na koncie Smart Life, dodaj urządzenie, a następnie zmień nazwę urządzenia na taką, którą łatwo zapamiętać, na przykład „Halo”.

3. **Konfiguracja głośnika Amazon Echo i włączanie umiejętności Smart Life**

Zalecamy skorzystanie z przeglądarki internetowej w celu przeprowadzenia konfiguracji na terenie Chin kontynentalnych, ponieważ aplikacja Alexa nie jest dostępna w tym regionie.

Głośnik Echo można skonfigurować przez internet lub aplikację Alexa.

Link do strony konfiguracji przez internet: <http://alexa.amazon.com/spa/index.html>

Aby zainstalować aplikację, wyszukaj nazwę „Smart Life” w App Store lub sklepie Google Play.

Konfiguracja aplikacji będzie służyła do celów demonstracyjnych. Konfiguracja przez internet i aplikację przebiega w ten sam sposób.

- (1) Konfiguracja Echo przez aplikację Alexa

Możesz pominąć ten krok, jeżeli głośnik Echo jest już skonfigurowany.

1. Upewnij się, że głośnik Echo jest włączony.
2. Otwórz aplikację Alexa, naciskając ikonę aplikacji na urządzeniu przenośnym.
3. Wprowadź nazwę konta Amazon i hasło, a następnie naciśnij „SIGN IN”.
4. Naciśnij przycisk menu w lewym górnym rogu i wybierz „Settings”, następnie naciśnij „SET UP A NEW DEVICE”.
5. Wybierz model Echo, wybierz preferowany język, a następnie naciśnij „CONNECT TO WI-FI”.
6. Długo przytrzymaj przycisk kropki na wierzchu głośnika Echo, aż do włączenia się pomarańczowego podświetlenia, następnie naciśnij „CONTINUE”. Gdy telefon jest połączony z głośnikiem Echo, naciśnij „CONTINUE”.

7. Wybierz sieć Wi-Fi, aby głośnik Echo miał dostęp do internetu. Wprowadź hasło do sieci Wi-Fi, a następnie naciśnij „CONNECT”. Łączenie Echo z siecią może potrwać kilka minut.
 8. Naciśnij „CONTINUE”, gdy Echo połączy się z siecią. Po obejrzeniu filmu wprowadzającego, naciśnij „CONTINUE”, aby zakończyć konfigurację.
- (2) Połącz konto Smart Life z Alexa
1. W rozwijanym menu naciśnij „Skills”, a następnie wyszukaj opcję „Smart Life”. Wybierz „Smart Life” i naciśnij „ENABLE”, aby włączyć umiejętność.
 2. Nastąpi przekierowanie na stronę konta. Wprowadź nazwę konta Smart Life i hasło, nie zapomnij wybrać kraju/regionu, w którym zarejestrowane jest konto. Następnie naciśnij „Link Now”, aby połączyć konto Smart Life. Kraj/region, nazwa konta i hasło muszą być zgodne z danymi wprowadzonymi w kroku 2.(2)

4. **Sterowanie urządzeniami przez głośnik Echo**

(1) Wykrywanie urządzeń

Zanim możliwe będzie sterowanie urządzeniami przez Echo, konieczne jest ich wykrycie. Możesz powiedzieć do Echo: „Alexa, discover devices”. Echo wykryje urządzenia, które zostały już dodane do aplikacji Smart Life.

Aby wykryć urządzenia inteligentne, możesz nacisnąć opcję „DISCOVER”. Wykryte urządzenia zostaną wyświetlone na liście.

Uwaga: Jeżeli zmienisz nazwę urządzenia w aplikacji Smart Life, konieczne będzie ponowne wykrywanie urządzeń w Echo.

(2) Sterowanie urządzeniami za pomocą komend głosowych

Od teraz możesz sterować urządzeniami inteligentnymi przez Echo. Do sterowania urządzeniami możesz wykorzystać poniższe komendy. (urządzenie wykorzystane w przykładzie nosi nazwę Halo)

- Alexa, turn on/off Halo

- Alexa, set Halo to one (tryb niskiej mocy wentylatora)
- Alexa, set Halo to two (tryb średniej mocy wentylatora)
- Alexa, set Halo to three (tryb dużej mocy wentylatora)

Uwaga: Alexa obsługuje jedynie włączanie/wyłączanie i zmianę prędkości wentylatora.

KONSERWACJA

Uwaga


- Przed przystąpieniem do konserwacji upewnij się, że urządzenie jest odłączone od zasilania.
- Nie zanurzaj oczyszczacza powietrza w wodzie ani innym płynie.
- Nie czyść żadnego z elementów urządzenia środkami ściernymi, powodującymi korozję lub palnymi (takimi jak chlor lub alkohol).

Czyszczenie i przechowywanie

1. Upewnij się, że urządzenie jest wyłączone i odłączone od zasilania.
2. Aby usunąć kurz lub zabrudzenia z powierzchni urządzenia i wlotów/wylotów powietrza, użyj miękkiej ściereczki i neutralnego środka do czyszczenia.
3. Po wysuszeniu urządzenia, zakryj je workiem i umieść w chłodnym miejscu z dobrą wentylacją.
4. Jeżeli urządzenie nie jest używane przez dłuższy czas, od czasu do czasu włączaj urządzenie na kilka minut, zgodnie z powyższymi instrukcjami, aby zapewnić jego bezawaryjną pracę.

Uwaga: Zachowaj ostrożność, aby woda nie przedostała się do urządzenia podczas czyszczenia otworów wentylacyjnych.

ROZWIĄZYWANIE PROBLEMÓW

SYTUACJA	PRZYCZYNA
Nie działa	<ul style="list-style-type: none"> • Czy jest podłączone do źródła zasilania? Czy nastąpiła przerwa w dostawie energii elektrycznej? • Czy w instalacji domowej zadziałał wyłącznik różnicowo-prądowy lub bezpiecznik? • Czy nadszedł czas wymiany filtra?
Niska wydajność	<ul style="list-style-type: none"> • Czy na powierzchni filtra wstępnego zgromadził się kurz? • Czy otwory wlotowe lub wylotowe powietrza są zakryte lub przesłonięte?
Hałasuje	<ul style="list-style-type: none"> • Czy coś przywarło do wentylatora w pobliżu otworu wlotowego powietrza? • Czy urządzenie jest przechylone? • Wybierz niższą moc wentylatora, jeżeli hałas jest zbyt duży lub wybieraj niską moc wentylatora na czas snu.
Nieprzyjemna woń	<ul style="list-style-type: none"> • Woń plastiku wydzielana przez nowe urządzenie jest zjawiskiem normalnym. • Urządzenie może wydzielać nieprzyjemną woń, gdy filtr jest zakurzony. Wyczyść lub wymień filtr. • Jeżeli urządzenie wydziela woń spalinizny, odłącz je od źródła zasilania i skontaktuj się z dostawcą lub obsługą klienta.
Przypomnienie o wymianie filtra nie zostało zresetowane po wymianie filtra.	<ul style="list-style-type: none"> • Naciśnij i przytrzymaj przycisk zasilania  przez 7 s, aby zresetować urządzenie. Zresetowany zostanie również licznik żywotności filtra.

Uwaga: Jeżeli nie znajdujesz rozwiązania swojego problemu w niniejszej sekcji i potrzebujesz wsparcia, skontaktuj się z dostawcą urządzenia lub centrum obsługi klienta. Nie demontuj urządzenia ani nie przeprowadzaj konserwacji samodzielnie.

ZNACZENIE KODU MODELU:

BAP-HA-P0809-N29W

BAP	H	A	P	08	09	N	29	W
-----	---	---	---	----	----	---	----	---

BAP – Oczyszczacz powietrza Blaupunkt

H – Filtr HEPA

A – Filtr węgla aktywowanego

P – Filtr wstępny

08 – 80 m³ powietrza oczyszczonego z formaldehydów (CADR)

09 – 90 m³ oczyszczonego powietrza

N – Wentylator bezłopatkowy

29 –Nr. wewnętrzny

W – Wi-Fi

KUNDENHOTLINE



Kundenhotline

DE:

Tel. 00 800 888 00 444

E-Mail:

service@mateko.pl

Kontaktieren Sie uns -
wir helfen Ihnen gerne weiter.

Mo-Do 8-17 Uhr

Fr. 8-15 Uhr